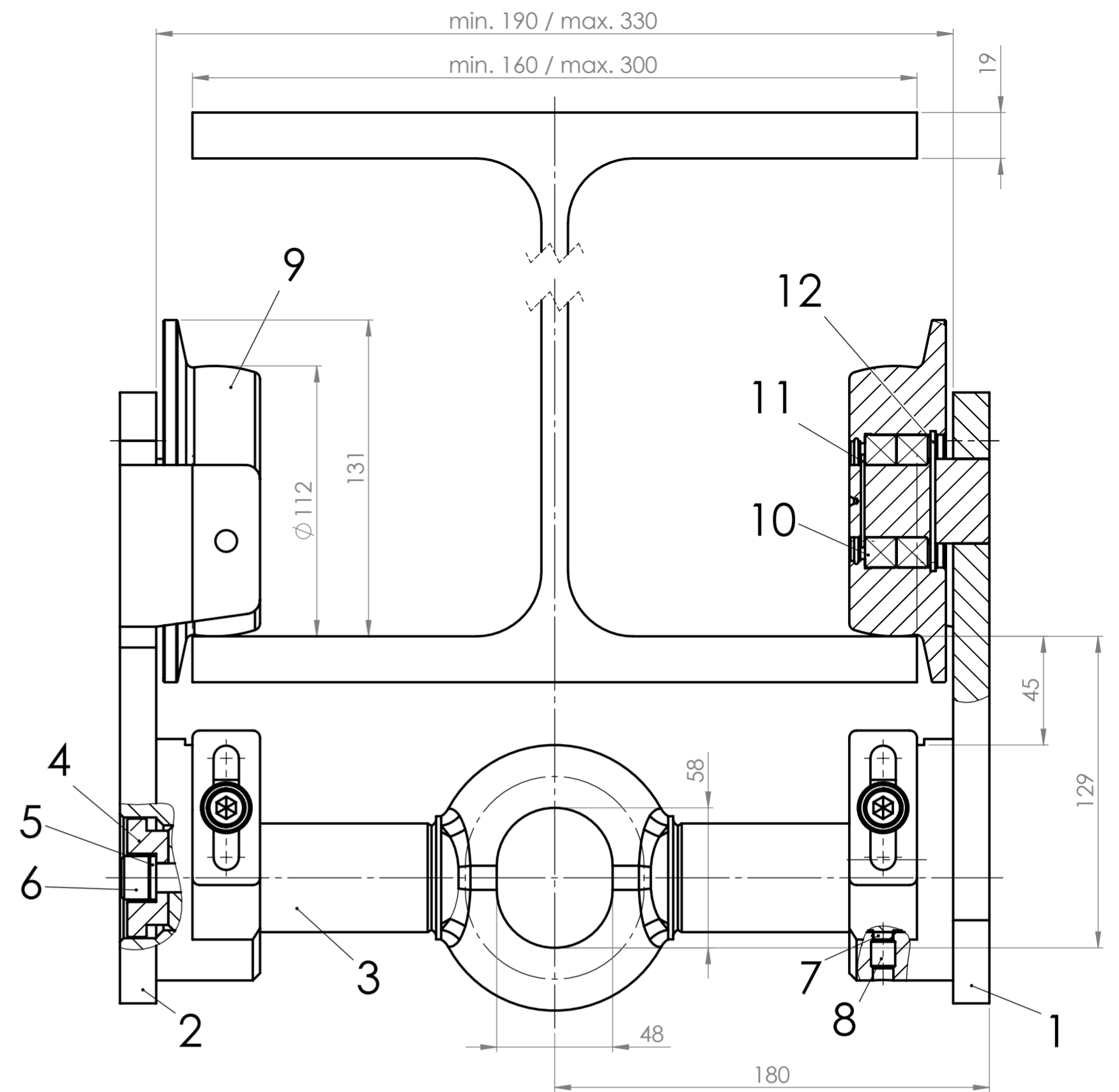
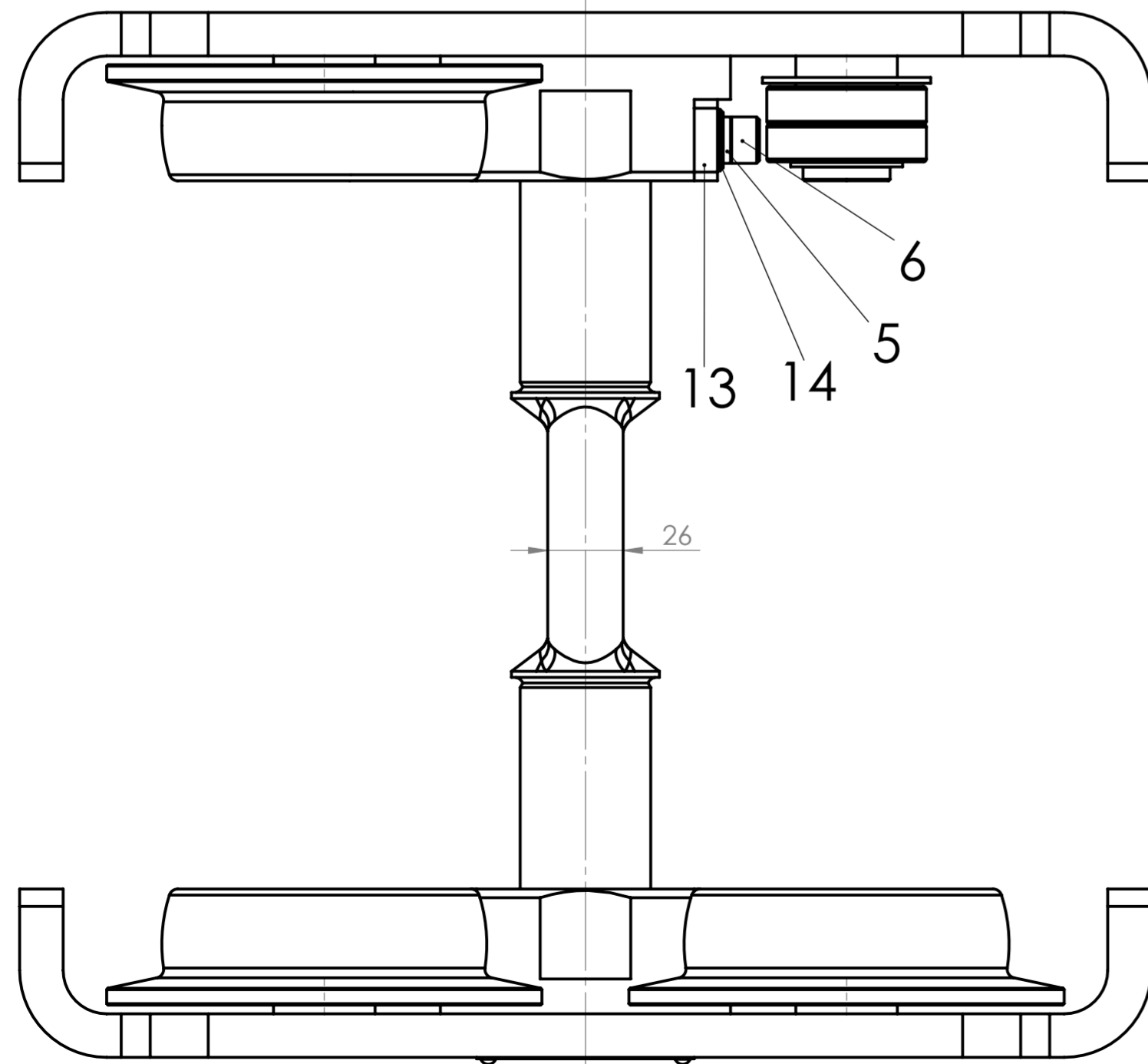


Pos. 9 ausgeblendet
Pos. 9 hidden



POS-NR.	BENENNUNG	BESCHREIBUNG	Standard /MENGE
1	00508331	Seitenplatte links, kpl.	1
2	00508334	Seitenplatte rechts, kpl.	1
3	00508205	Taverse	1
4	00508340	Anschlag Traverse	2
5	09122033	SPRING WASHER DIN 7980 - 10	6
6	09102012	Zylinderschraube ISO 4762 - M12 x 20 - 8.8	6
7	00548123	Gewindeschutz	1
8	09114080	Gewindestift	1
9	00508209	Laufrolle , unverzahnt	4
10	09151046	Rillenkugellager DIN 625 - 6006 - Z	8
11	09129002	Sicherungsring DIN 471 - 30 x 1,5	4
12	09130046	Sicherungsring DIN 472 - 55 x 2	4
13	00508359	Kippsicherung	4
14	09121006	Scheibe DIN EN ISO 7090 - 10,5 - 200HV	4
15	00508223	Typenschild	1
16	09128004	Kerbnagel DIN EN 28746 - 3 x 4	4
17	00007186	Lackfarbe, schwarz	0,15

General Tolerances
ISO 2768-mk
Specified Tolerances
ISO 8015
Edges According to
DIN 6784

Dimensional Units
mm
First Angle Projection

CMKO
Columbus McKinnon
Industrial Products GmbH
Yale-Allee 30
42329 Wuppertal / Germany

Material:
Standard:
Material No:
Modeled: 17.03.2017 KON1
Drawn: 17.03.2017 KON1
Approved: 17.03.2017 KON1
Design Authority: Velbert
Original project:
Original scale: 1:2

Description:
Rollfahwerk
push trolley
HTP-B 3,0t
Format Number:
A2 05148308

4367	AA	new	31.01.2018	mnswu	Approved:	17.03.2017	KON1	Sheet	1
-	-	-	-	-	Design Authority:	Velbert	-	1	1
-	-	-	-	-	Original project:	-	-	-	-
ECN	Rev.	Description of change	Date	By	Original scale:	1:2	-	-	-

NOTICE TO PERSONS RECEIVING THIS DRAWING AND/OR TECHNICAL INFORMATION
 Columbus McKinnon Industrial Products GmbH claims proprietary rights in the material disclosed hereon. This drawing and/or technical information is issued in confidence and is not to be distributed, copied, reproduced, or otherwise used in any manner without the prior written permission of Columbus McKinnon Industrial Products GmbH. This drawing and/or technical information is loaned for mutual assistance and is subject to recall by Yale at any time. This drawing and/or technical information is the property of Yale.