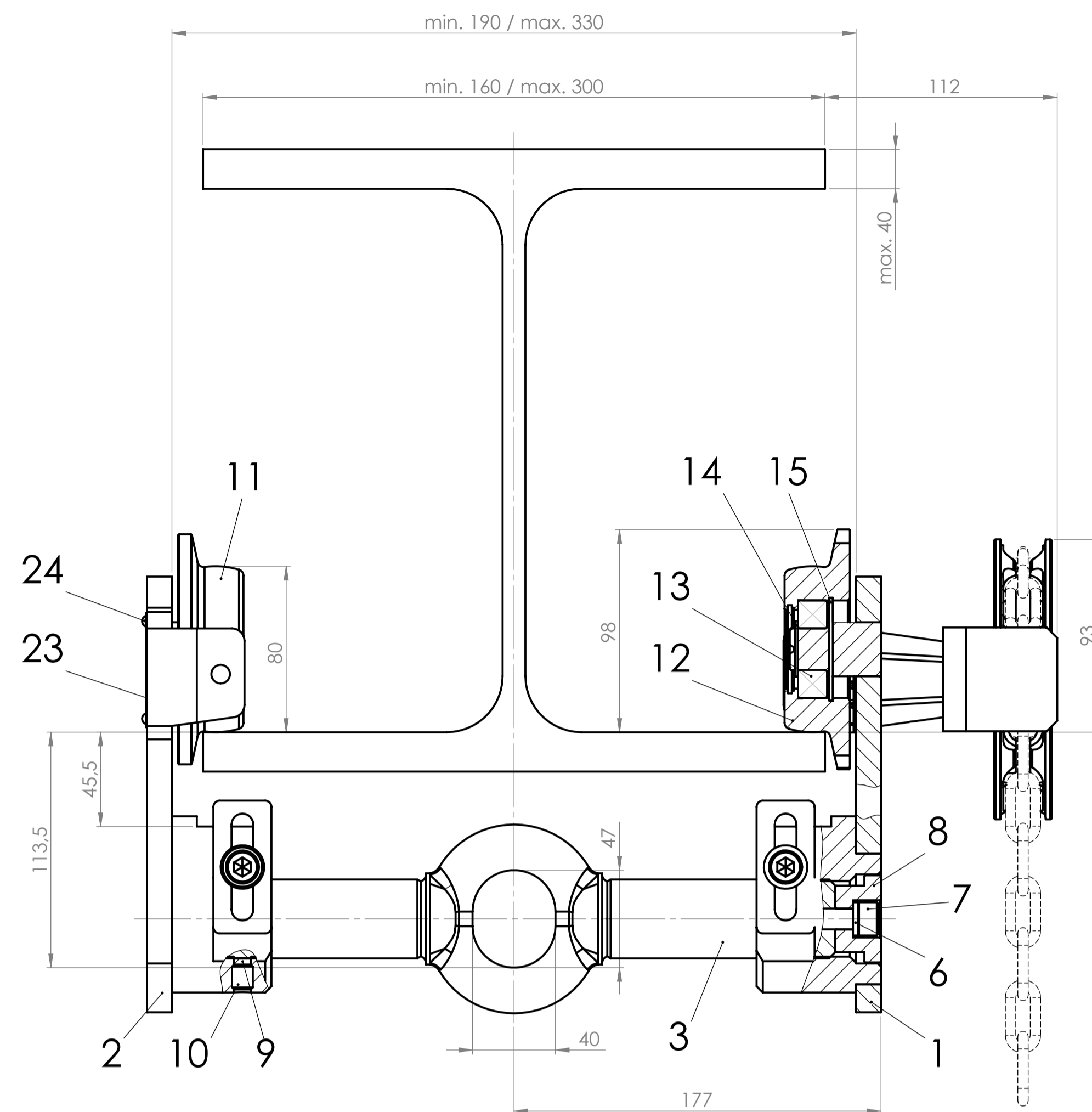
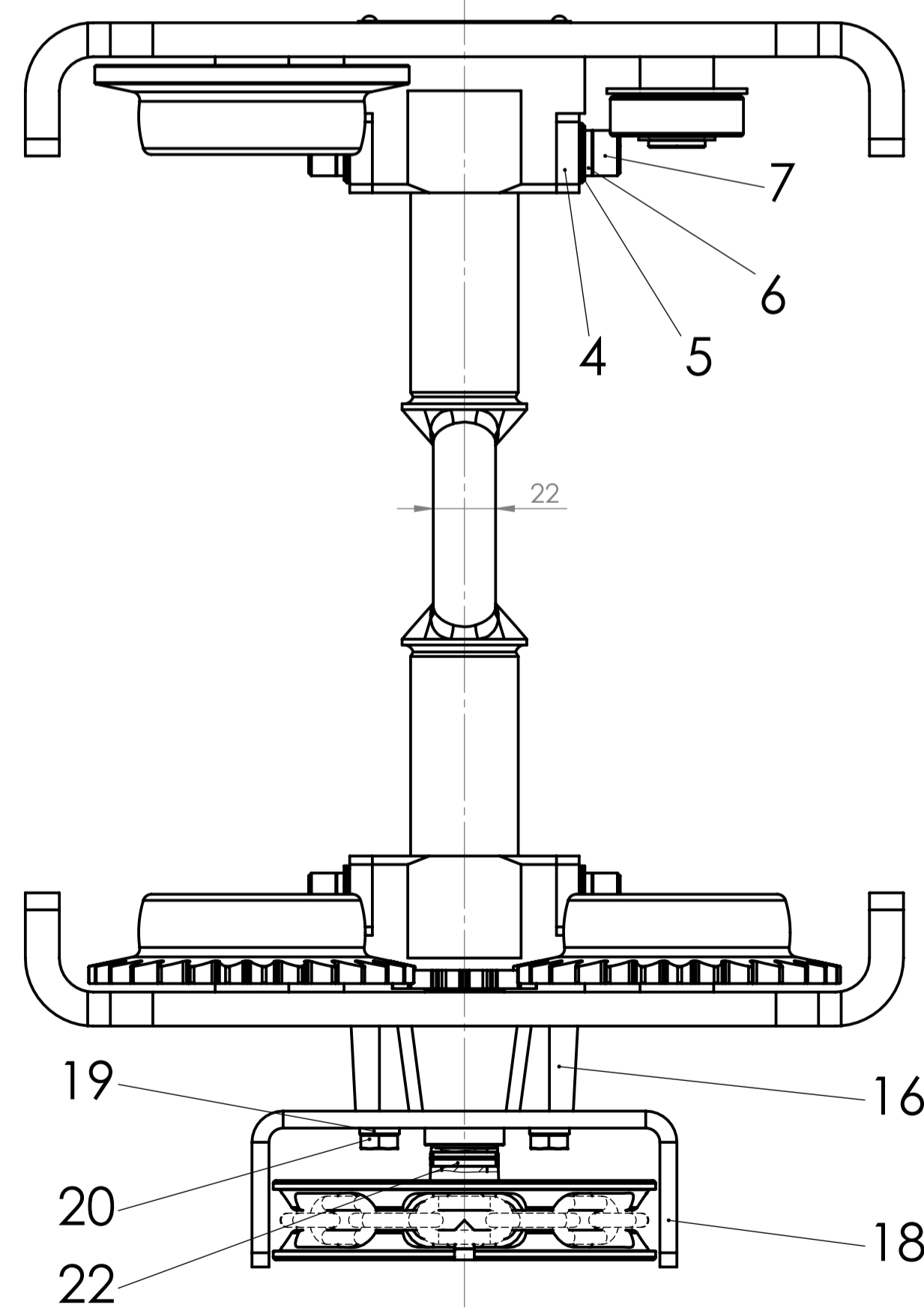


Pos. 11 ausgeblendet
Pos. 11 hidden



POS-NR.	BENENNUNG	BESCHREIBUNG	MENGE
1	00508336	Seitenplatte rechts, kpl.	1
2	00508330	Seitenplatte links, kpl.	1
3	00508204	Traverse	1
4	00508359	Kippsicherung	4
5	09121006	Scheibe DIN EN ISO 7090 - 10.5 - 200HV	4
6	09122033	SPRING WASHER DIN 7980 - 10	6
7	09102012	Zylinderschraube ISO 4762 - M10x25 - 8.8	6
8	00508339	Anschlag Traverse	2
9	00548123	Gewindeschutz	1
10	09114080	Gewindestift	1
11	00508208	Laufrolle, unverzahnt	2
12	00508212	Laufrolle, verzahnt	2
13	09151011	Rillenkugellager DIN 625 - 6204 - 2Z	4
14	09129025	Sicherungsring DIN 471 - 20 x 1,2	4
15	09130027	Sicherungsring DIN 472 - 47 x 1,75	4
16	00557200	Lagerbock, Fertigteil	1
17	00557206	Antriebswelle, geschweisst	1
18	00557314	Handkettenführung	1
19	09122016	Federling DIN 127 - B8	2
20	09101050	Sechskantschraube DIN EN ISO 4014 - M8x50 - 8.8	2
21	00557304	Handkettenrad, Fertigteil	1
22	09134052	Spannstift DIN EN ISO 8752 - 5x24 - St	1
23	00508223	Typenschild	1
24	09128004	Kerbnagel DIN EN 28746 - 3 x 4	4
25	00007186	Lackfarbe schwarz RAL 9005	0,15

General Tolerances: ISO 2768-mk
 Specified Tolerances: ISO 8015
 Edges According to: DIN 6754
 Dimensional Units: mm
 First Angle Projection

CISCO
 Columbus McKinnon Industrial Products GmbH
 Yale-Allee 30
 42329 Wuppertal / Germany

Material:
 Standard:
 Material No:
 Modeled: 18.07.2017 mnsuw
 Drawn: 18.07.2017 mnsuw
 Approved: 18.07.2017 mnsuw
 Design Authority: Veitbert
 Original project:
 Original scale: 1:2

Description:
Haspelfahrwerk
 geared trolley
 HTG-B 2,0t

Format: A1
 Number: **05348312**

Sheet: 1/1

NOTICE TO PERSONS RECEIVING THIS DRAWING AND/OR TECHNICAL INFORMATION
 Columbus McKinnon Industrial Products GmbH claims proprietary rights in the material disclosed herein. The drawing and/or technical information is issued in confidence from you to the user. This drawing and/or technical information is loaned for mutual assistance and is subject to recall by Yale at any time. This drawing and/or technical information is the property of Yale.